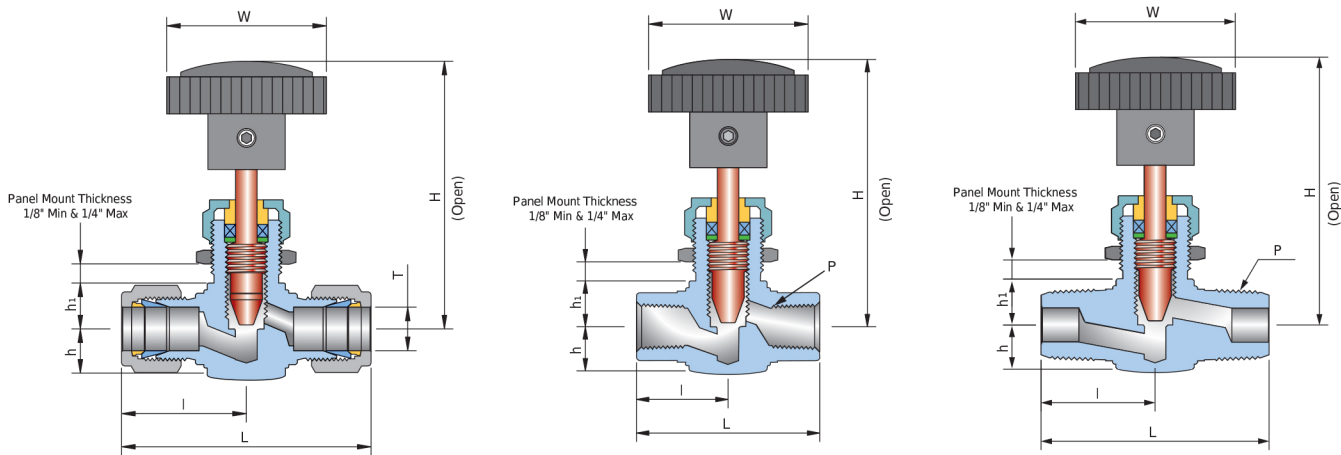


VN5 series

(Straight Pattern, Both Kor-Lok Tube Fittings or Both Female or Male Threads)



Ordering Information & Dimensions

Part Number	End Connection		Orifice	CV	Dimensions (mm)						Panel Hole Drill Size
	Inlet	Outlet			L	I	h	h ₁	Round Handle H(open)	W	
VN51	U-02T-	1/8" Kor-Lok	2.0	0.09	49.3	24.9	11.2	7.9	57.9	25.4	11.9
	U-M03T-	3mm Kor-Lok			49.3	24.9					12.2
	F-02N-	1/8" Female NPT			47.8	23.9					11.9
	M-02N-	1/8" Male NPT			38.1	19.1					
VN52	U-04T-	1/4" Kor-Lok	4.4	0.37	56.3	28.2	9.5	9.5	65.9	34.7	13.5
	U-M06T-	6mm Kor-Lok			56.8	28.4					
	U-M08T-	8mm Kor-Lok			59.0	29.5					
	F-02N-	1/8" Female NPT			42.0	21.0					
	M-02N-	1/8" Male NPT			41.2	20.6					
	M-04N-	1/4" Male NPT			50.0	25.5					
VN53	U-06T-	3/8" Kor-Lok	6.3	0.73	67.8	33.9	12.5	13.5	80.6	46.7	20.0
	U-08T-	1/2" Kor-Lok			73.2	36.6					
	U-M10T-	10mm Kor-Lok			67.4	33.7					
	U-M12T-	12mm Kor-Lok			73.4	36.7					
	F-04N-	1/4" Female NPT			54.0	27.0					
	M-06N-	3/8" Male NPT			53.0	26.5					
	MF-04N-	1/4" Male NPT 1/4" Female NPT			55.6	26.5					
VN54	U-08T-	1/2" Kor-Lok	7.2	1.80	83.2	41.6	17.0	17.0	97.0	55.5	23.0
	U-12T-	3/4" Kor-Lok			83.2	41.6					
	F-06N-	3/8" Female NPT			65.0	30.0					
	F-08N-	1/2" Female NPT			65.0	32.5					
	M-08N-	1/2" Male NPT			66.0	33.0					
	MF-08N-	1/2" Male NPT 1/2" Female NPT			66.0	33.0					
VN55	U-16T-	1" Kor-Lok	12.7	3.20	99.2	49.6	20.0	20.0	86.7*	85*	29.0
	F-12N-	3/4" Female NPT			75.0	37.5			87.2*		
	F-16N-	1" Female NPT			89.0	44.5					

* Dimensions for bar handle. Round handle for these sizes are not available.
 ISO7/1 Tapered Threads (PT) are available for all fractional sizes of VN5 series valves.
 Add "R" as a suffix instead of "N".

Dimensions are for reference only and are subject to change without prior notice.